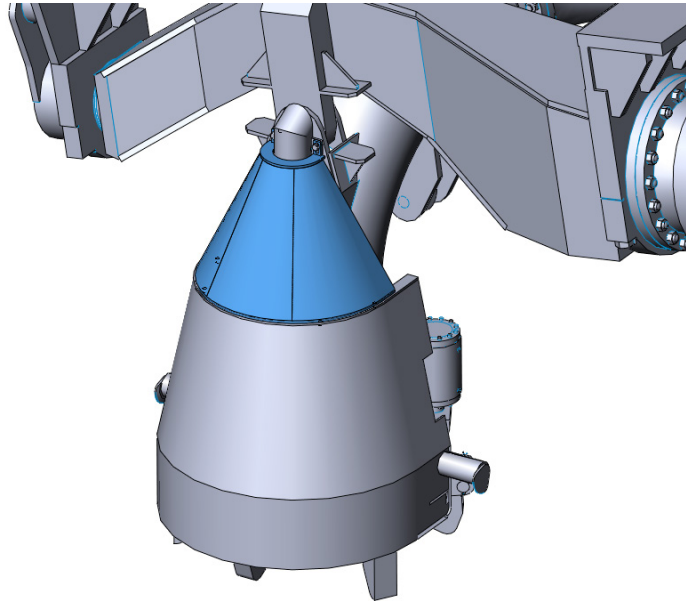


# PUSNES coupler valve protection cover

## Extended protection for the coupler valve

Offshore Mooring and Loading Competence Centre Sales Bulletin 0011.00



### Background Information

Over the years the standard for the offshore hose handling ropes has changed. The bridle arrangement has been altered along with the type and size of shackles. This has in some cases caused damages to the coupler valve during connecting and disconnecting of the loading hose.

To protect the coupler valve from these damages an additional protective cover has been designed. This extends the length of the cover and adds protection for the coupler valve.

### Technical details

- Can be installed on already existing Pusnes bow loading systems.
- Easy to install, can be done offshore.
- Increases protection of the coupler valve.
- Saves potential downtime due to repairs.
- Increased safety for operators during the loading hose connecting and disconnecting.

MacGregor shapes the offshore and marine industries by offering world-leading engineering solutions and services with a strong portfolio of MacGregor, Hatlapa, Porsgrunn, Pusnes and Triplex brands.

MacGregor is part of Cargotec (Nasdaq Helsinki: CGCBV)

*Published by MacGregor. Copyright © MacGregor May 2016. All rights reserved. No part of this publication may be reproduced, stored, photocopied, recorded or transmitted without permission of the copyright owner.*

**MacGregor Norway AS**

[pusnes.support@macgregor.com](mailto:pusnes.support@macgregor.com)

[www.macgregor.com](http://www.macgregor.com)

 **MACGREGOR**