

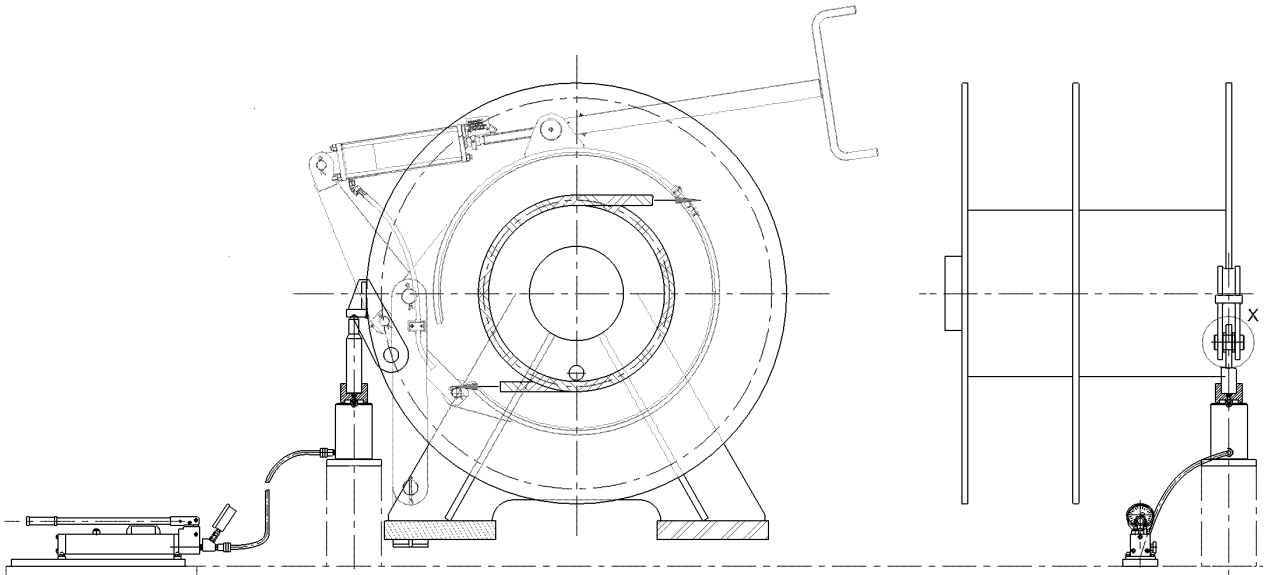
# TTS BRAKE TEST KIT

TESTS THE BRAKE HOLDING CAPACITY OF THE DRUM BAND BRAKE



**TTS**

A MacGregor Company



Over time, the brake linings on the drum band brake can start to wear down. This affects the holding capacity and the performance of your equipment.

The TTS Brake Test Kit is a simple and effective means of testing the brake holding capacity of your drum band brake. It is necessary to test the brake holding capacity after modifications or repair.

This kit is designed in line with OCIMF regulations. These require that you test the brake holding capacity of your drum band brake at least once a year to ensure performance and safety.

The TTS Brake Test Kit is available as a single unit so that you can easily perform the test yourself on board.

## TEST YOUR BRAKE HOLDING CAPACITY EASILY ON BOARD

## BRAKE TESTING MADE EASY

