

SB 1000-107**Gear Oil Replacement**

2018-04-25

Rev. B

1 Scope and Target Group

⚠ WARNING

- ✓ Always refer to the user manual for additional information and safety warnings.
- ✓ Only perform this task if you are qualified to carry out the steps described below.
- ✓ Always make sure that the tasks described in this bulletin are intended for the equipment you are working on.
- ✓ If you are unsure about the workflow, steps or qualification, contact your TTS aftersales service contact.

Your aftersales service contact:

TTS Marine GmbH
An der Reeperbahn 6
D-28217 Bremen
Germany

Telephone: +49(421) 520 08-0
Telefax : +49(421) 52008-749
E-Mail: service@ttsgroup.com

2 Problem

How to replace the gear oil?

3 General

NOTICE

Replacement of oils is part of the maintenance routine and therefore the responsibility of the operator. When replacing oils, all safety measurements as indicated in the according User Manual have to be observed.

NOTICE

The Gear Case Oil should be first time replaced six months after first start up. Further replacements should take place every two years or depending on the working condition.

4 Replacement

4.1 Overview

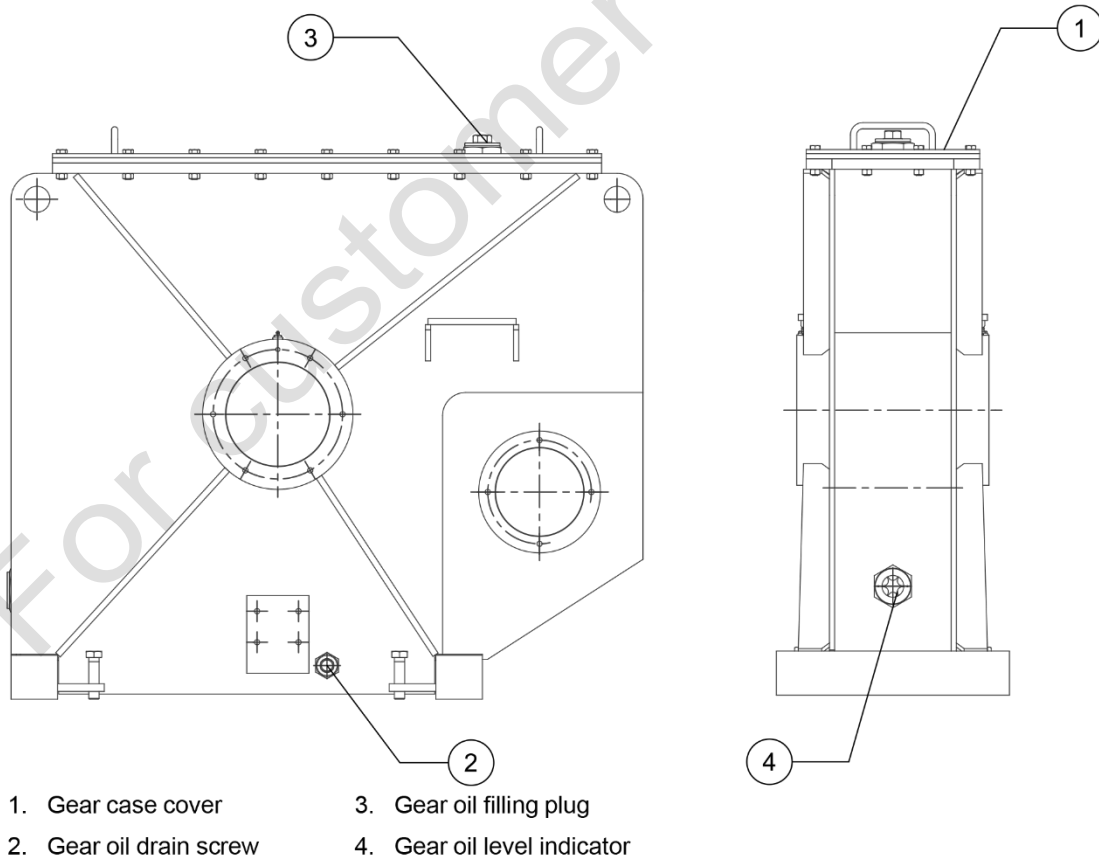


Figure 1: Gear Case

4.2 To replace the oil in the gear case

1. Open the gear case cover.
2. Pump out the oil from gear case.
3. Clean the gear case completely and allow the remaining oil to flow through the open gear oil drain screw.
4. Remove any remaining oil with oil rags.

NOTICE

Make sure you do not leave any tools or oil rags in the gear case.

5. Close the gear case cover and the gear oil drain screws.
6. Refill the gear case with the gear oil through the gear oil filling plug.

NOTICE

The gear oil level should be in the middle of the gear oil level indicator on the gear case.

For customer use only!