

**SB 55-106****Replacement of Pressure Filter**

2017-06-01

Rev. A

## 1 Scope and Target Group

**⚠ WARNING**

- ✓ Always refer to the user manual for additional information and safety warnings.
- ✓ Only perform this task if you are qualified to carry out the steps described below.
- ✓ Always make sure that the tasks described in this bulletin are intended for the equipment you are working on.
- ✓ If you are unsure about the workflow, steps or qualification, contact your TTS aftersales service contact.

**Your aftersales service contact:**

TTS Marine GmbH  
An der Reeperbahn 6  
D-28217 Bremen  
Germany

Telephone: +49(421) 520 08-0  
Telefax : +49(421) 52008-749  
E-Mail: [service-winch@tts-marine.de](mailto:service-winch@tts-marine.de)

## 2 Task

How to replace the old pressure filter with the new pressure filter?

This instruction describes the replacement of the pressure filter (TTS no. 4000553) by the new pressure filter (TTS no. 4034659, replacement kit).

### NOTICE

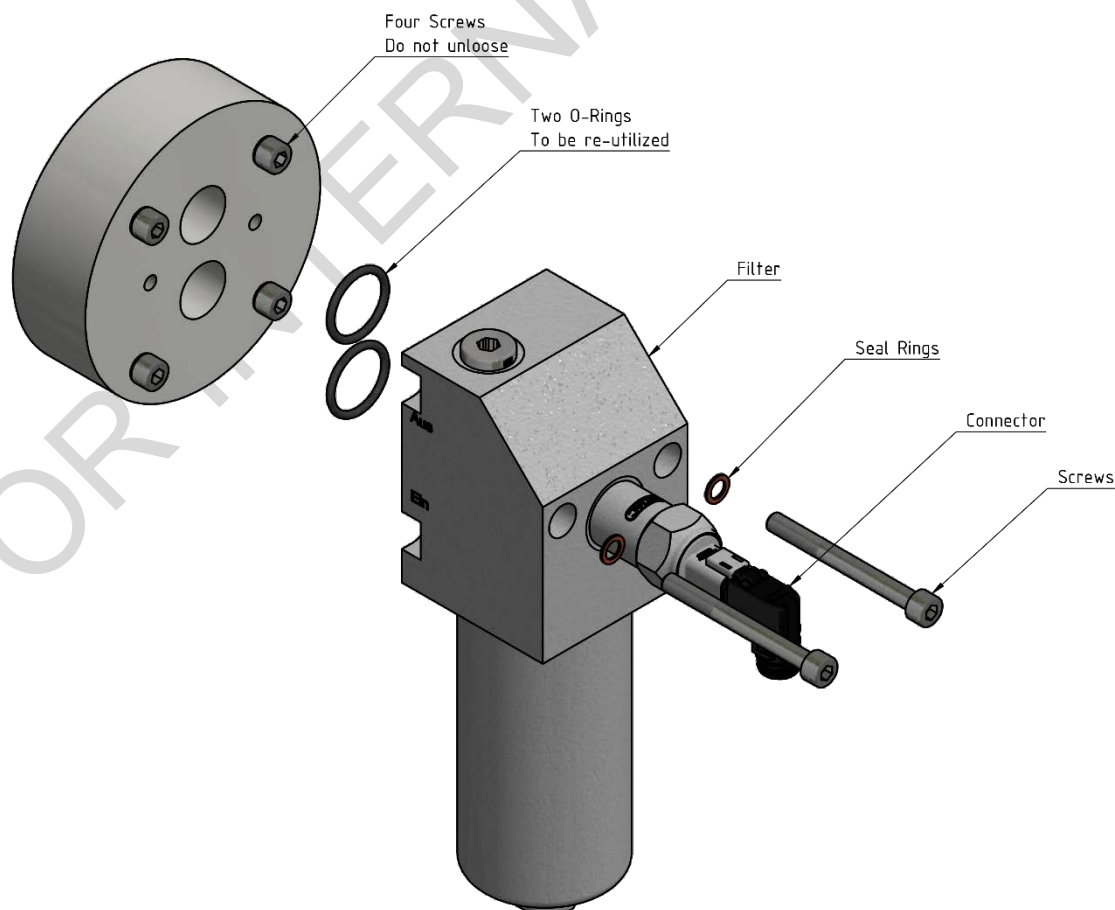
For the assembly of the required DT06-25 plug please refer to the document

**SB 55-104\_Assembly of DT06-25 Connector**

## 3 Preparation

You need the following:

- According tools (screwdrivers, Allen keys)
- Replacement kit (TTS no. 4034659)
- New electric connector (see SB 55-104\_Assembly of DT06-25 Connector)



## 4 Solution

1. Remove the old filter from its socket.

**NOTICE**

Do not remove the socket of the filter, as the new filter will be placed on the socket!

**NOTICE**

Do not remove the screws on the socket!

**NOTICE**

Keep the two O-rings for re-use on the new filter.

2. Grease the two O-rings and insert them into the socket.
3. Place the new filter on the socket. Make sure that the O-rings are still in place.
4. Put the two seal rings on the screws, insert them into the drill holes and fasten them.
5. Connect the assembled connector to the filter. Refer to SB 55-104\_Assembly of DT06-25 Connector.
6. Check the filter for leakproofness.